

EMVS-PRCU

WEARABLE REMOTE CONTROL FOR **EMVS-TL**

MAIN FEATURES

- Wearable battery-powered radio for remote control and supervision of the *EMVS* detector array
- Ready to use, factory paired long range wireless link to the RCU (Remote Control Unit) installed on the *EMVS* vehicle
- Real time transmission of audio and visual indications
- Two-way communication
- Long battery life with built-in battery charger
- Rugged IP68 enclosure complies with MIL-STD-810 standards



GENERAL DESCRIPTION

The **EMVS-PRCU** is a battery self-powered unit that allows remote control of the **EMVS system**. It can be used for supervising purposes or in combination with the vehicle's remote driving system with no-operator inside the cockpit.

The system is ready to use without waiting times for connection. Thanks to a reliable wireless link long distance connection are possible. The **EMVS-PRCU** remotes real-time audio and visual indication of the **EMVS** alarms and allows the operator to set the Metal Detector sensitivity and volume as well as to check the state and reset the vehicle's automatic braking system after a stop for detection.



PART LIST

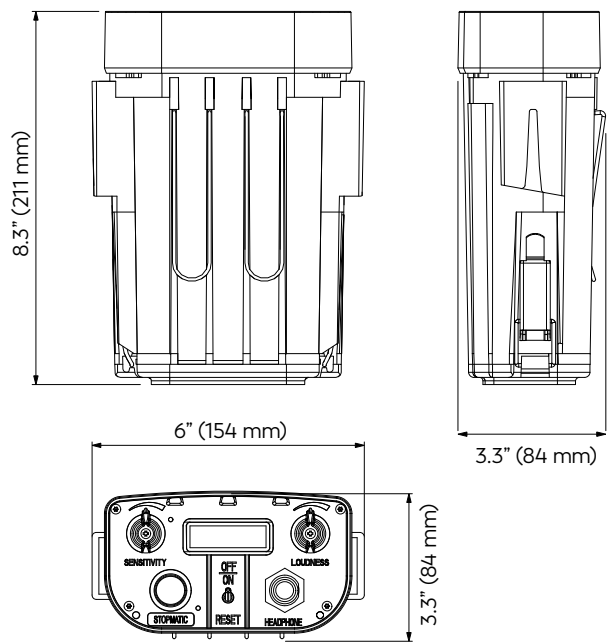
1	Wearable remote control unit
2	External Speaker
3	Headphone with clip
4	4 NiMH rechargeable Batteries
5	GSMD-ACPSA1 AC/DC Power Supply for the built-in battery charger
6	GSMD-DCPSA1 DC Power Supply Cable with cigarette lighter plug
7	Transport case

SPECIFICATIONS

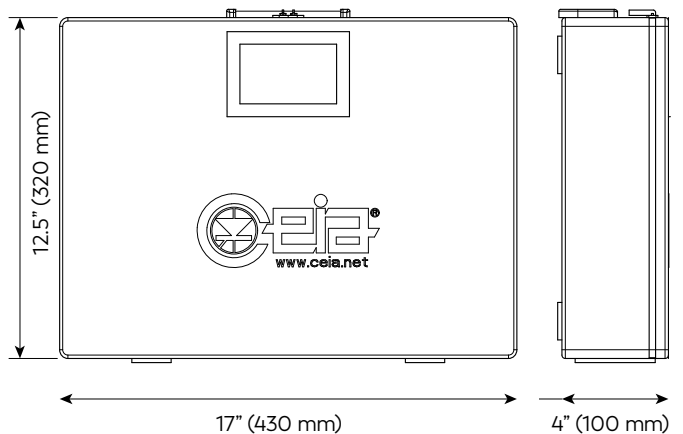
BATTERY	4 cells size D alkaline or NiMH rechargeable
OPERATIONAL TIME	60h (CEIA supplied Rechargeable 10Ah NiMH batteries) 80h (alkaline high capacity batteries)
CHARGING TIME	6h max with 10Ah NiMH batteries
RADIO LINK FEATURES	2.4GHz Bluetooth 5 LE 150m line of sight operating distance
PROTECTION DEGREE	IP68
TEMPERATURE	Storage: - 67 °F to 185 °F (-55 to +85 °C) Operating: -60 °F to 158 °F (-46 to +70 °C)
CONFORMITY	MIL-STD-810H standard
WEIGHTS	Remote unit with battery included 3.5 lbs (1.6 kg) External Speaker 0.06 lbs (27 g) Monaural Headphone 0.4 lbs (170 g) GSMD-ACPSA1 AC/DC Power Supply for the built-in battery charger 0.9 lbs (390 g) GSMD-DCPSA1 DC Power Supply Cable with cigarette lighter plug 0.2 lbs (90 g) Transport case 3 lbs (1.4 kg)

DIMENSIONS

REMOTE CONTROL UNIT



TRANSPORT CASE



CEIA USA Ltd - 6336 Hudson Crossing Parkway, Hudson OH 44236

☎ 330-405 3190 • ✉ gsmd@ceia-usa.com • 📞 Call (833) 224-2342 (CEIA)

www.ceia-usa.com

CEIA USA reserves the right to make changes, at any moment and without notice, to the models (including programming), their accessories and options, to the prices and conditions of sale - FC140K0215v2000uUS (2024)